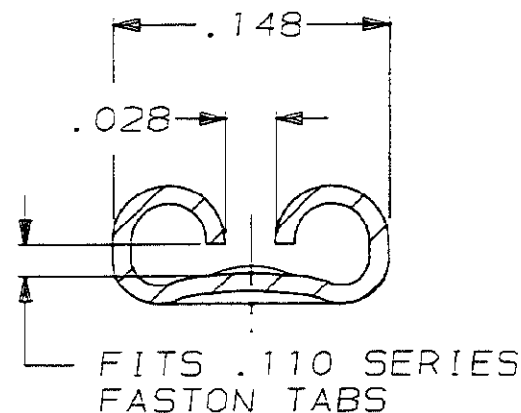
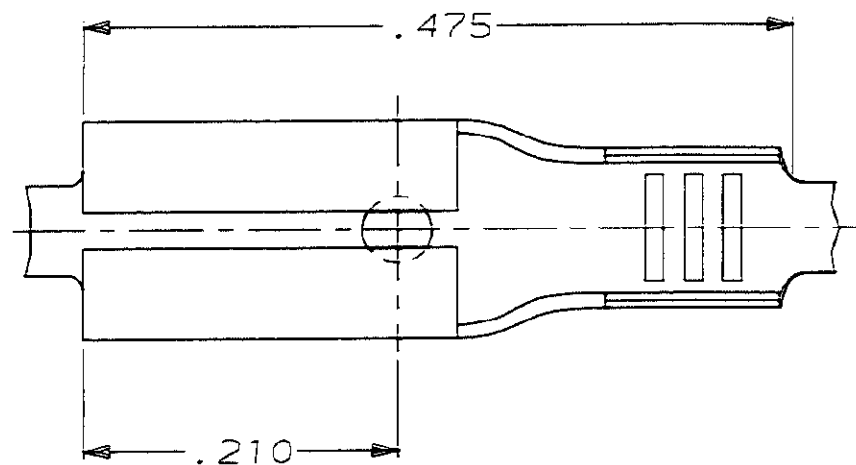


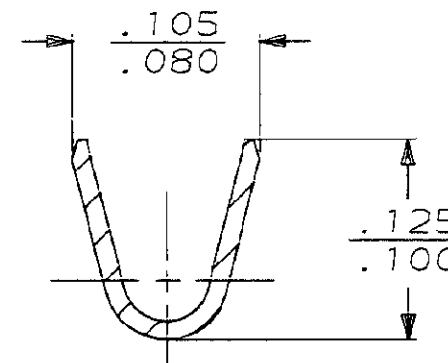
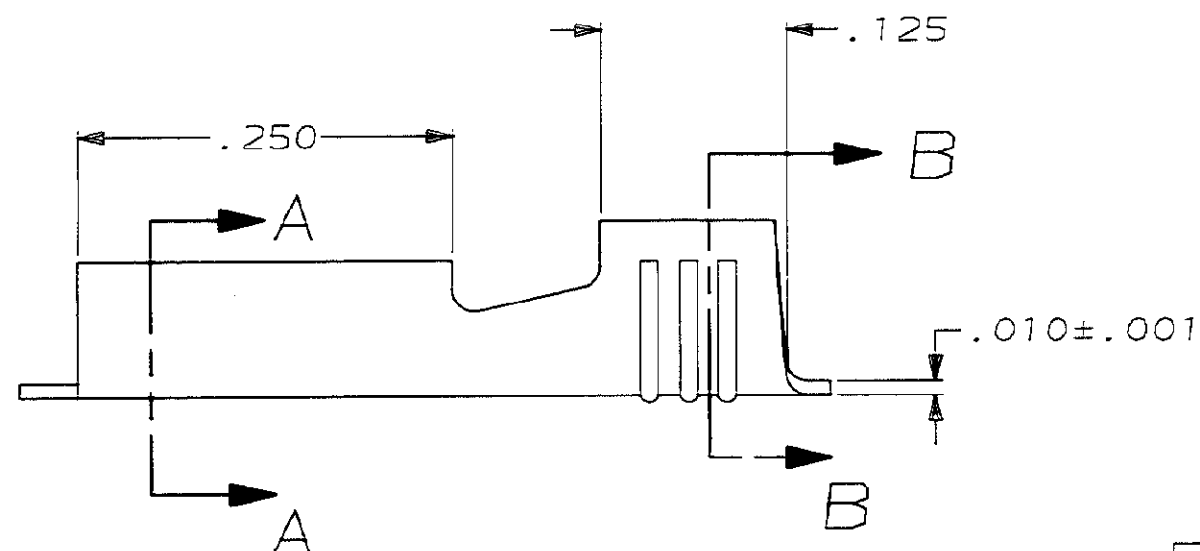
THIS DRAWING IS UNPUBLISHED. RELEASED FOR PUBLICATION
 © COPYRIGHT 19 BY AMP INCORPORATED. ALL INTERNATIONAL RIGHTS RESERVED.

| | | | | | | |
|-----|------|---|---|-----------|-----|--------------------------------|
| LOC | DIST | P | F | REVISIONS | | |
| AF | 50 | | | ZONE | LTR | DESCRIPTION |
| | | | | | T | REDRA & SEP FROM 42398 AF-7357 |
| | | | | | | DATE |
| | | | | | | 4/1/91 |
| | | | | | | APPD |
| | | | | | | JR |

- 1 CONTINUOUS STRIP ON REELS
- 2 FEED TO BE $.535 \pm .005$.



FITS .110 SERIES FASTON TABS
 SECTION A-A
 SCALE 10:1



SECTION B-B
 SCALE 10:1

| | | | |
|---|-------------------------|--|------------|
| PRE-TIN | 20-18 or (2) #20's | .032 | 60601-1 |
| FINISH | WIRE SIZE | MATING TAB THK $\pm .001$ | PART NO |
| DO NOT SCALE PRINT. UNLESS SPECIFIED DIMENSIONS ARE IN INCHES TOLERANCES ON: 2 PLC DEC = - 3 PLC DEC = .015 ANGLES = - | DR 4/1/91 JR RUTH | AMP AMP Incorporated Harrisburg, PA 17105-3608 | |
| | CHK 4/1/91 MS FEHER | | |
| MATERIAL | APPD 4/1/91 C MEYERS | NAME RECEPTACLE, FASTON, .110 SERIES | |
| #4H BRASS | APPD 4/1/91 D REINER | | |
| FINISH | PRODUCT SPEC | SIZE | CAGE CODE |
| SEE TABLE | APPLICATION SPEC | B | 00779 |
| | WEIGHT | SCALE | DRAWING NO |
| | - | 8:1 | 60601 |
| | | | SHEET |
| | | | 1 OF 1 |